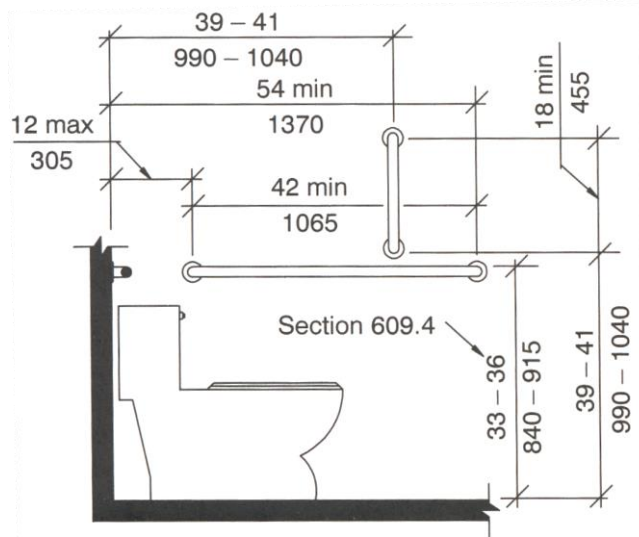
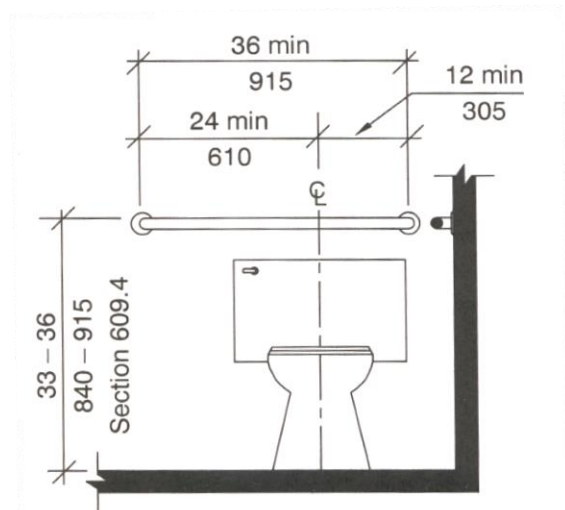


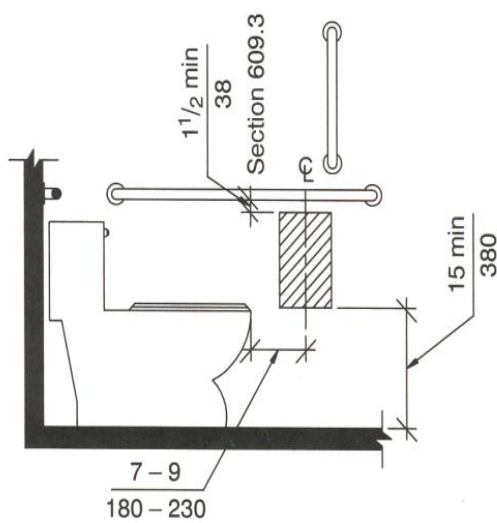
## RESTROOM ACCESSIBILITY REQUIREMENTS



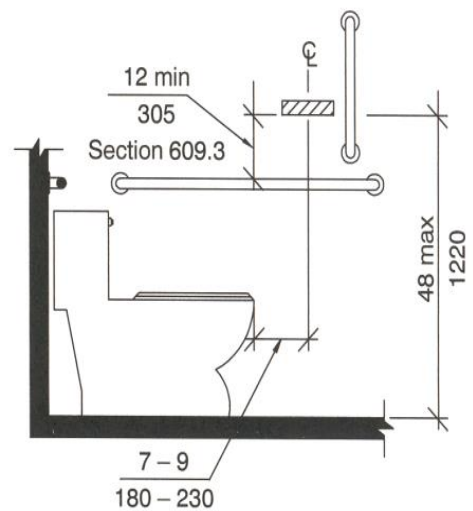
**Fig. 604.5.1**  
**Side Wall Grab Bar for Water Closet**



**Fig. 604.5.2**  
**Rear Wall Grab Bar for Water Closet**

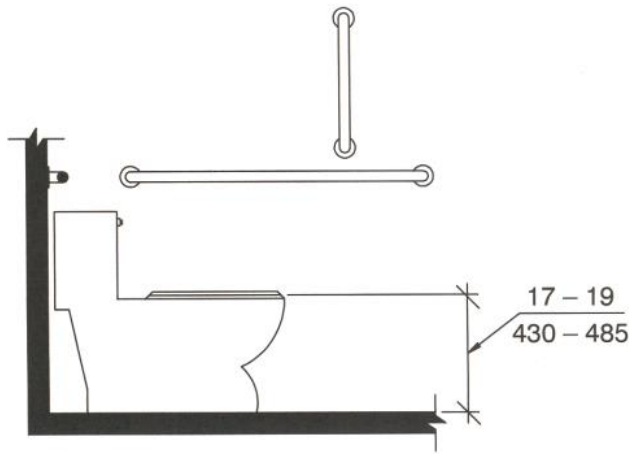


**(a) Below Grab Bar**

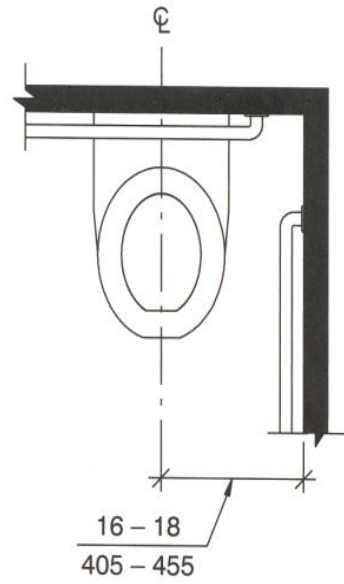


**(b) Above Grab Bar**

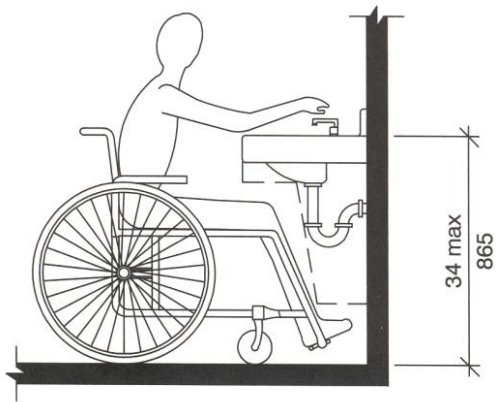
**Fig. 604.7**  
**Dispenser Location**



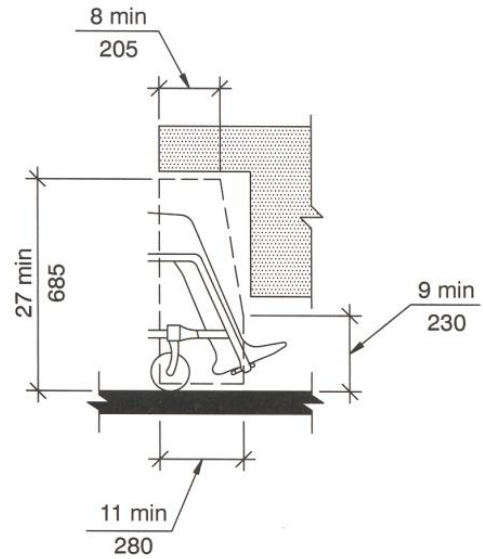
**Fig. 604.4**  
**Water Closet Height**



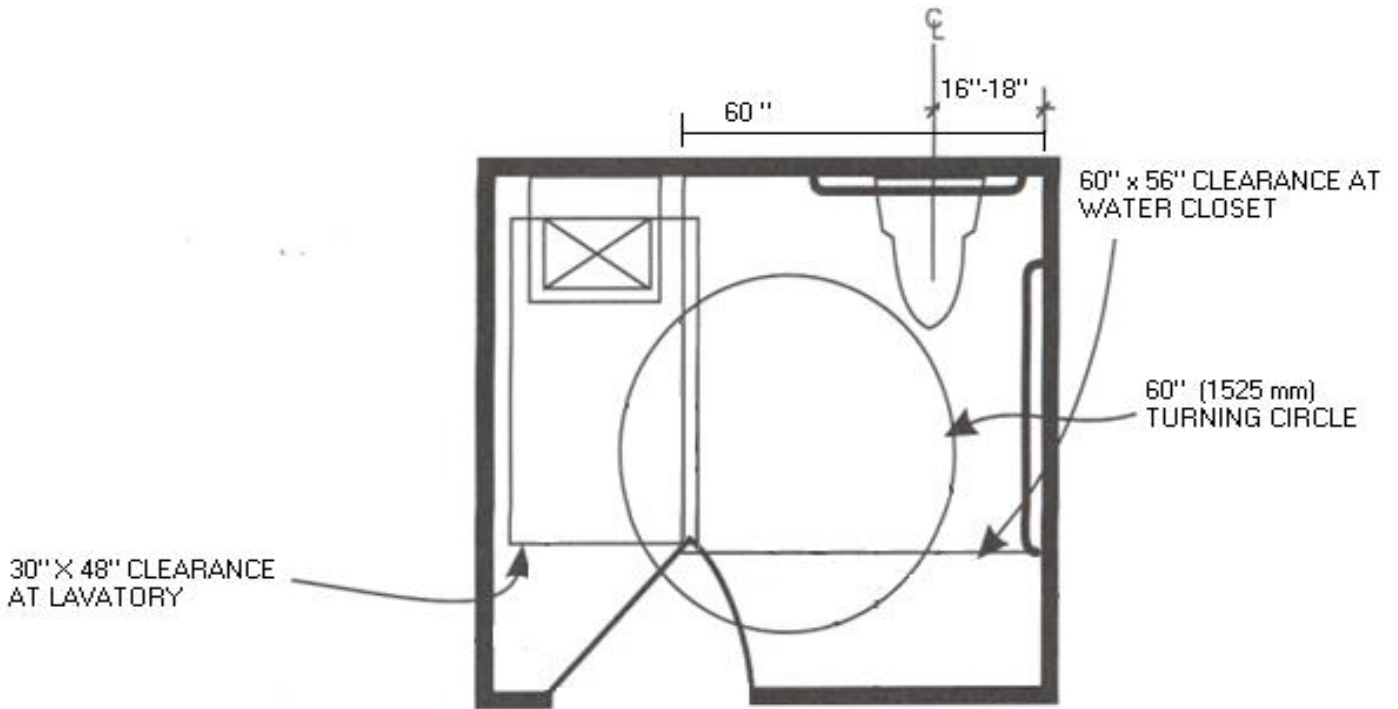
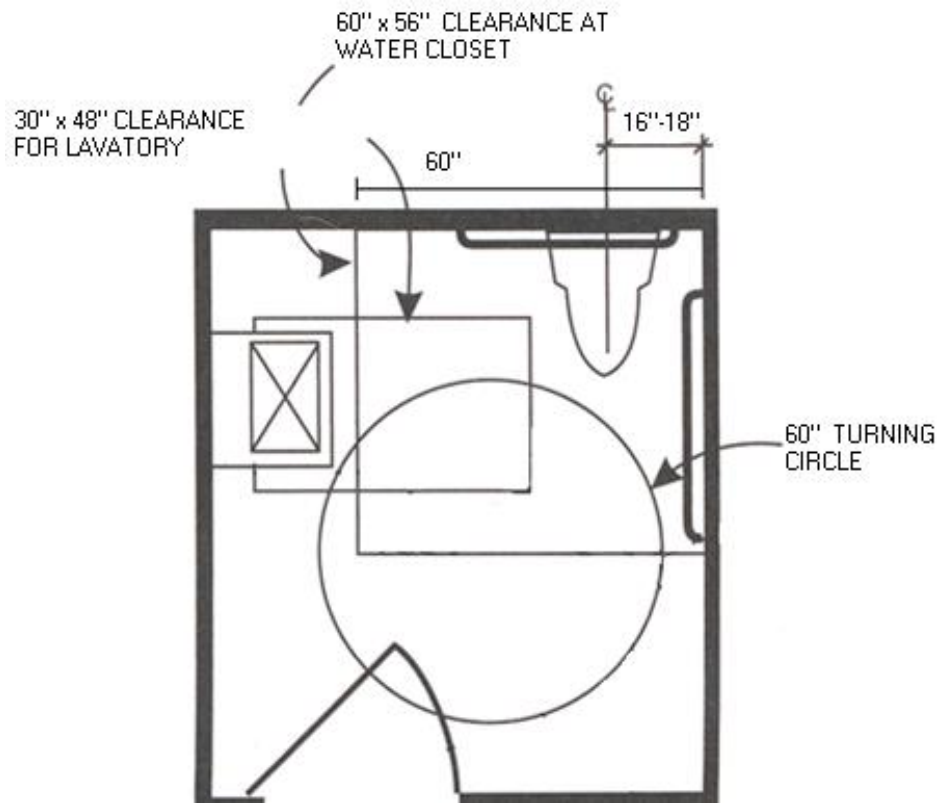
**(a) Accessible Water Closets**

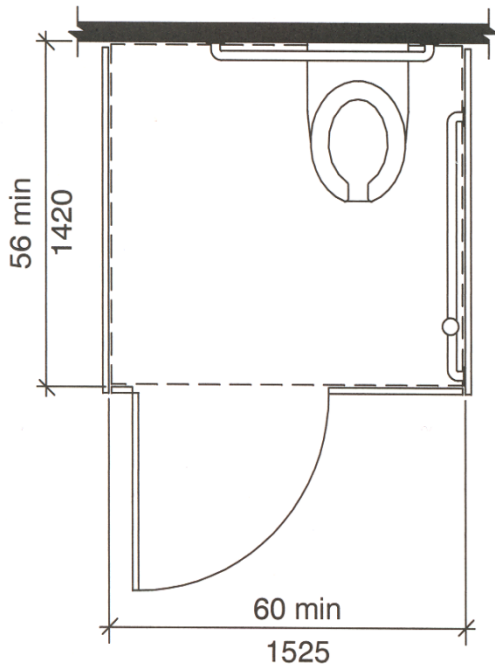


**Fig. 606.3**  
**Height of Lavatories and Sinks**

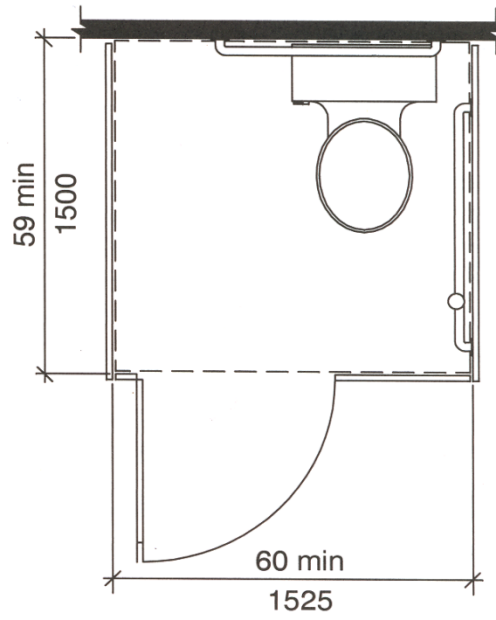


**(a)**  
**Elevation**





(a) Wall-Hung Water Closet – Adult



(b) Floor-Mounted Water Closet – Adult  
 Wall-Hung and  
 Floor-Mounted Water Closet – Children

**Fig. 604.8.2**  
**Wheelchair Accessible Toilet Compartments**